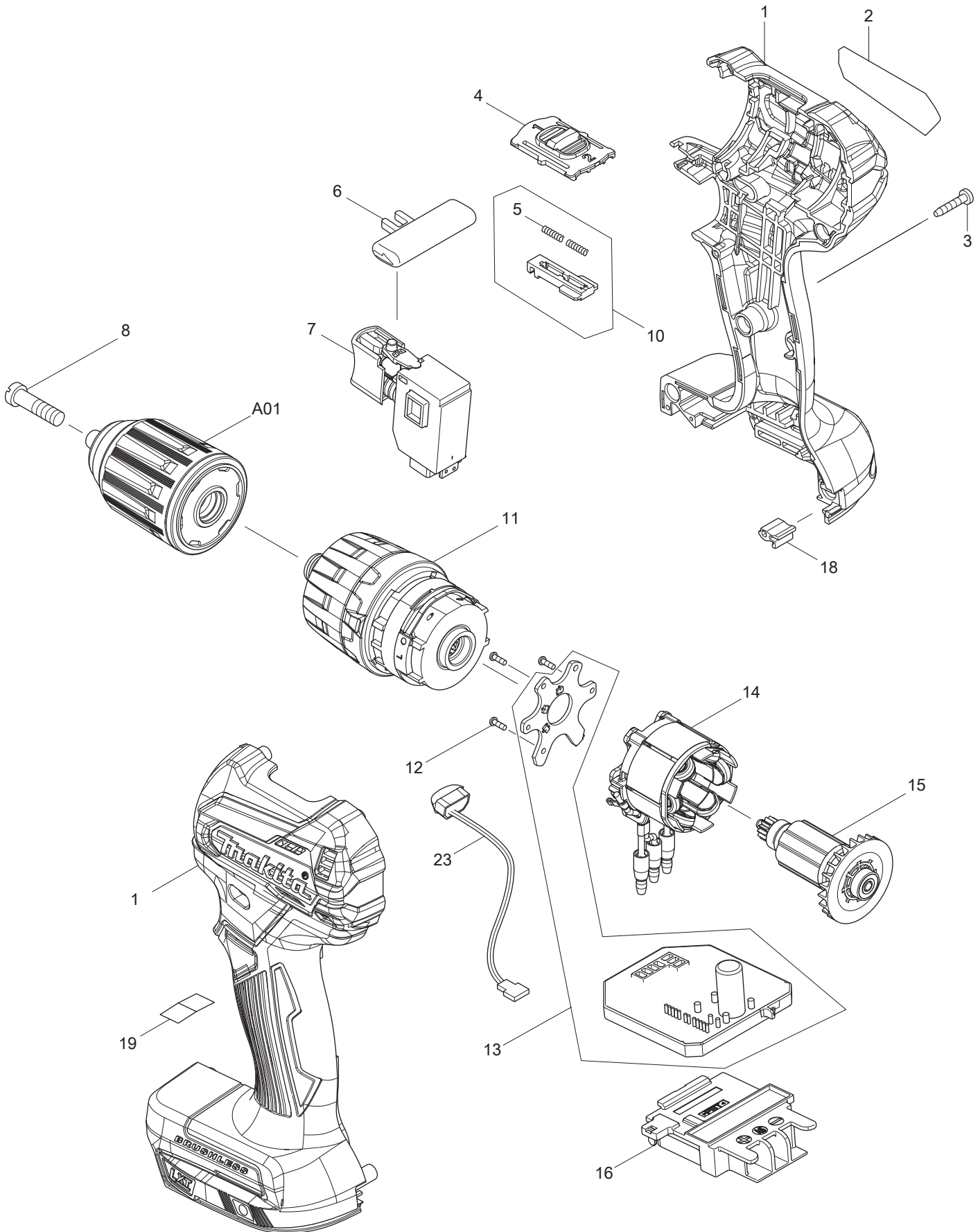




08 - 2016

DHP483Z

18V LXT Brushless Hammer Driver Drill



Item No	Type	Sub	Part No	Description	Qty	Unit
001			183E18-7	HOUSING SET, BLUE	1	SET
		INC.	263005-3	RUBBER PIN 6	2	PC.
		INC.	252126-6	HEX LOCKING NUT M4-7	2	PC.
1B			183E64-0	HOUSING SET, BLACK	1	SET
		INC.	263005-3	RUBBER PIN 6	2	PC.
		INC.	252126-6	HEX. LOCKING NUT M4-7	2	PC.
002			852L52-7	NAME PLATE F/DHP483	1	PC.
003			266429-2	TAPPING SCREW M3X16	8	PC.
004	2		458382-8	SPEED CHANGE LEVER	1	PC.
005			233025-1	COMPRESSION SPRING 2	2	PC.
006			419041-9	CHANGE LEVER F/R	1	PC.
007			650689-0	SWITCH C3JW-2B	1	PC.
008			251468-5	- FLAT HEAD SCREW M6X22	1	PC.
010			123587-6	CHANGE LEVER ASSY	1	PC.
		INC.		Item No. 5		
011			123867-0	GEAR ASSEMBLY	1	PC.
012			266490-9	TAPPING SCREW PT M2X6	3	PC.
013			620555-5	CONTROLLER	1	PC.
014			629228-7	STATOR	1	PC.
015			619410-6	ROTOR	1	PC.
016			643874-2	TERMINAL	1	PC.
018			424517-3	CUSHION	1	PC.
019			809U04-3	CAUTION LABEL	1	PC.
023			620549-0	LED CIRCUIT	1	PC.
100			251314-2	+TH SCREW M4X12 F/HOOK & BIT HOLDER	1	PC.

ACCESSORIES

- See Catalogue or visit www.makita.ca for more accessories -

A01			763241-6	1/2" KEYLESS DRILL CHUCK BULK	1	PC.
A02			346449-3	HOOK F/14.4V, 18V LI-ION BATTERY	1	PC.
A03			784637-8	DOUBLE ENDED BIT 2-45 BULK	1	PC.
A04	1		821521-7	PLASTIC CARRYING CASE	1	PC.
		INC.	162302-3	LATCH	2	PC.
		INC.	324207-7	SHAFT	1	PC.
		INC.	451749-9	HANDLE	1	PC.
	2		141856-3	PLASTIC CARRYING CASE COMPLETE	1	PC.
		INC.	162302-3	LATCH	2	PC.
		INC.	324207-7	SHAFT	1	PC.
		INC.	451749-9	HANDLE	1	PC.
A05			-----	18V LI-ION BATTERY		
A06			-----	BATTERY CHARGER		
A07			-----	LI-ION BATTERY ACCESSORIES		
A08			452947-8	BIT HOLDER	1	PC.
A09			-----	SPADE BITS		
A10			-----	SELF FEED DRILL BITS		
A11			-----	FORSTNER BITS		
A12			-----	SPIRAL STEP DRILL BITS		
A13			-----	COUNTERSINK DRILL BITS		
A14			-----	EZYCHANGE BIM HOLE SAWS		
A15			-----	BIM HOLE SAWS		
A16			-----	IMPACT GOLD DRIVER BITS		
A17			-----	THRUSTER PERCUSSION HAMMER DRILL BITS		
A18			-----	OMNIBOHRER CONSTRUCTION DRILL BITS		
A19			-----	HOLLOW SOCKETS		
A20			-----	THREADED ROD SOCKETS		
A21			-----	HEX SHANK SHIP AUGER BITS		
A22			-----	SCREW GUIDE BIT HOLDERS		
A23			-----	12" FLEXIBLE BIT HOLDER		